



Jackson Aircraft Weighing Service Is pleased to provide a quote for our: 10K and 20K aircraft wheel weighing system

- ⌚ Rated capacity: 10,000 & 20,000 lbs with a 5 and 10 lb. count per platform
- ⌚ Accuracy: ¼ of 1% or better in the field
- ⌚ Master platform Indication: M2000 three channel digital indicator with two slave platforms
- ⌚ Active Weighing surface is 12 x 12
- ⌚ Weight is 40lbs per platform
- ⌚ Height 3"



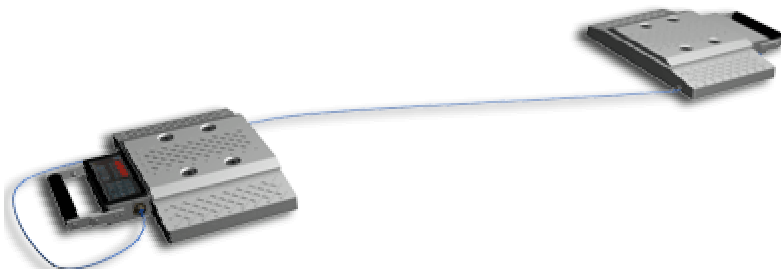
Beechcraft King Air nose wheel

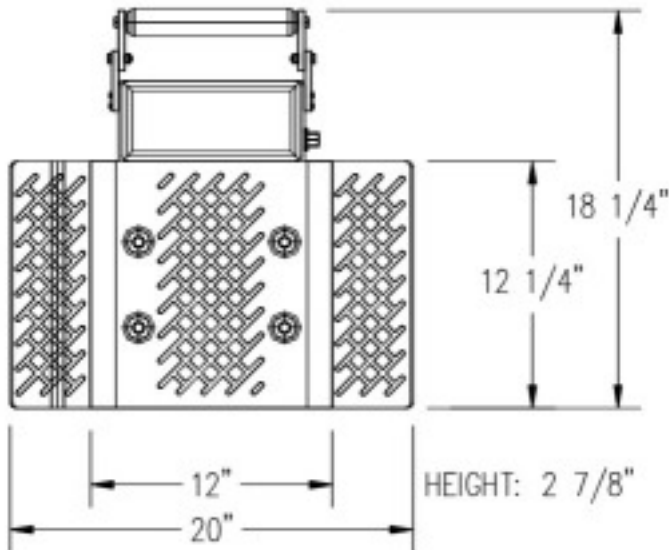


Pad to wheel

Pad Specifications:

- ⌚ Light weight platforms are easy to locate and use
- ⌚ Platforms can be used on most surfaces and weather conditions
- ⌚ Solid cast aluminum construction with handle
- ⌚ Calibration traceable to NIST for aircraft use
- ⌚ Master platform supports the indicator and the system is battery or regular current operated
- ⌚ Reading in either kilograms or pounds
- ⌚ LED display ensures high visibility in all conditions





- ⌚ Standard hard wired 3 pad system
- ⌚ Digital indicator
- ⌚ 110V regular wall current or use onboard battery power for up to 2 hours use
- ⌚ One year warranty parts and labor

Unit price is \$4,995.00 USD plus Shipping and handling.

Prices are subject to change with out notice.

Units are in process at this time and can be reserved with current lead time for delivery approximately 2 weeks.

Larry Jackson,
Jackson Aircraft Weighing Service:
www.aircraftscales.com
www.jawsscales.com

E-mail us: larryjackson@jawsscales.com or lwjjaws@aol.com

Call us at: 561-281-6179