

Aircraftscales.com

Aircraft weighing equipment, aircraft scales and more.

Aircraft Scales

M2000-3-10CS

M2000-3-10BS

M2000-3-25CS

M2000-3-25BS

M2000-3-50CS

920-4-10CS

Platform Scales

M2000-3-10KP

Load Cells

Large jet scales

M2000-3-100CS

920-4-100CS

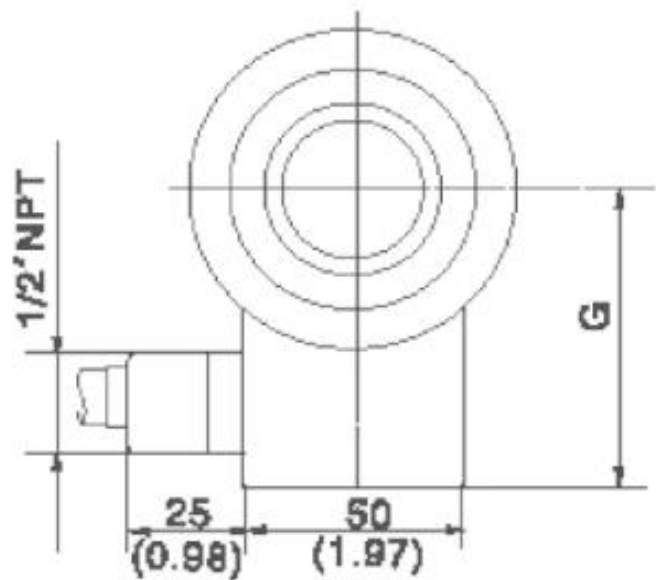
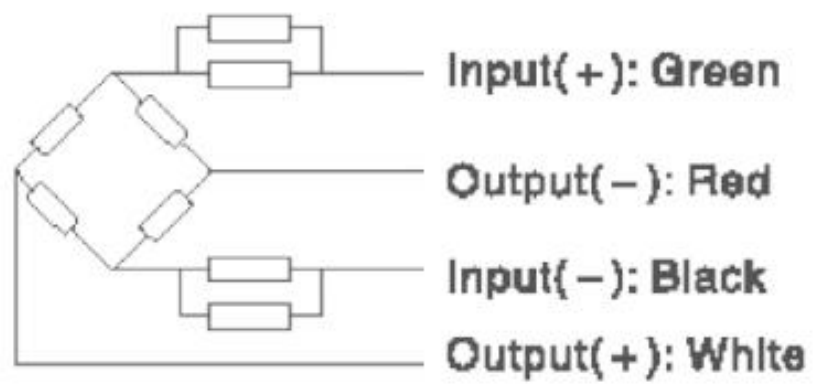
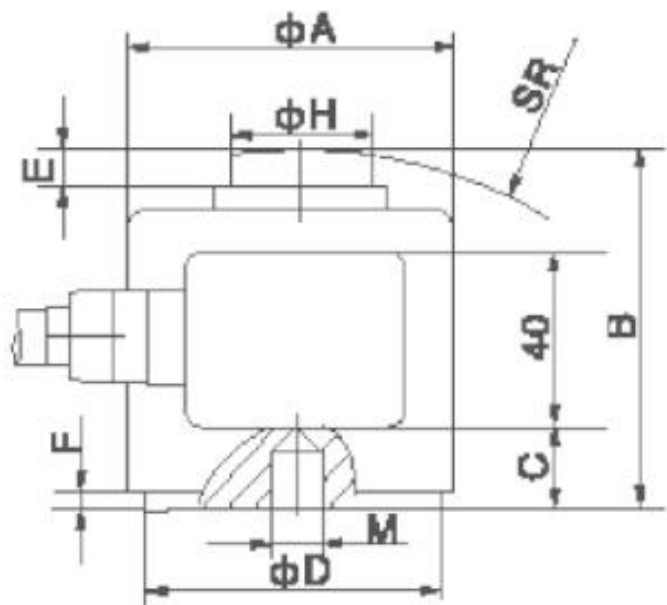
Jack Adapters

Contact Us

920-4-10CS Quote: \$7995.00 + Shipping

Four 10,000lb cell transducers, one inch mounting, 40,000lbs total system capacity, digital indication.





Wiring:

- **Shielded, 4 conductor cable: ϕ 7.5mm.**
- **Standard cable length:**
10t : 10m; 25t ~ 100t : 20m; 10Klb ~ 500Klb: 9m.
- **Cable type and cable length for customer's own application are available on request.**

Capacity	A	B	C	D	E	F	G	H	M
10,25t	73	82.5	38.23	58	7.75	2.6	64	31.8	M12X1.75
10,25,50K	(2.85)	(3.25)	(1.5)	(2.28)	(0.31)	(0.10)	(2.25)	(1.25)	1/2-20UNF

40,60t	105	127	65.07	82.5	9.4	4	87	58.7	M20X2.5 3/4-16UNF
100K	(4.13)	(5.0)	(2.56)	(3.25)	(0.37)	(0.16)	(3.43)	(2.31)	
100t	151.4	184.2	87.35	123.8	23.15	3.7	108	79.4	3/4-20UNF-2B
200K	(5.96)	(7.25)	(3.44)	(4.87)	(0.91)	(0.15)	(4.26)	(3.13)	
300K	151.4	184.2	87.35	123.8	23.15	3.7	108	79.4	
500K	(5.96)	(7.25)	(3.44)	(4.87)	(0.91)	(0.15)	(4.26)	(3.13)	
	162.6	228.6	101.5	136.3	10.85	3.7	123	93.7	
	(6.40)	(9.0)	(4.0)	(5.37)	(0.43)	(0.15)	(4.84)	(3.69)	

Load cells are available in the capacities 5Klb, 10Klb, 15Klb, 25Klb, 50Klb 100Klb to 500Klb. They offer 17-4PH stainless steel construction, electronic hermetic sealing, oil-proof, waterproof and anti-corrosive gas and medium making them lightning protected in all kinds of environment. Multiform column design, for aircraft scale and other electronic testing and weighing devices.

Important Features

Capacities: 5Klb to 500Klb.

High accuracy.

Total stainless steel construction, four column construction, reliable performance.

With OIML approval:(PTB:D09-07.11)

Contact Larry Jackson for information and ordering at: larryjackson@jawsscales.com 561-281-6179